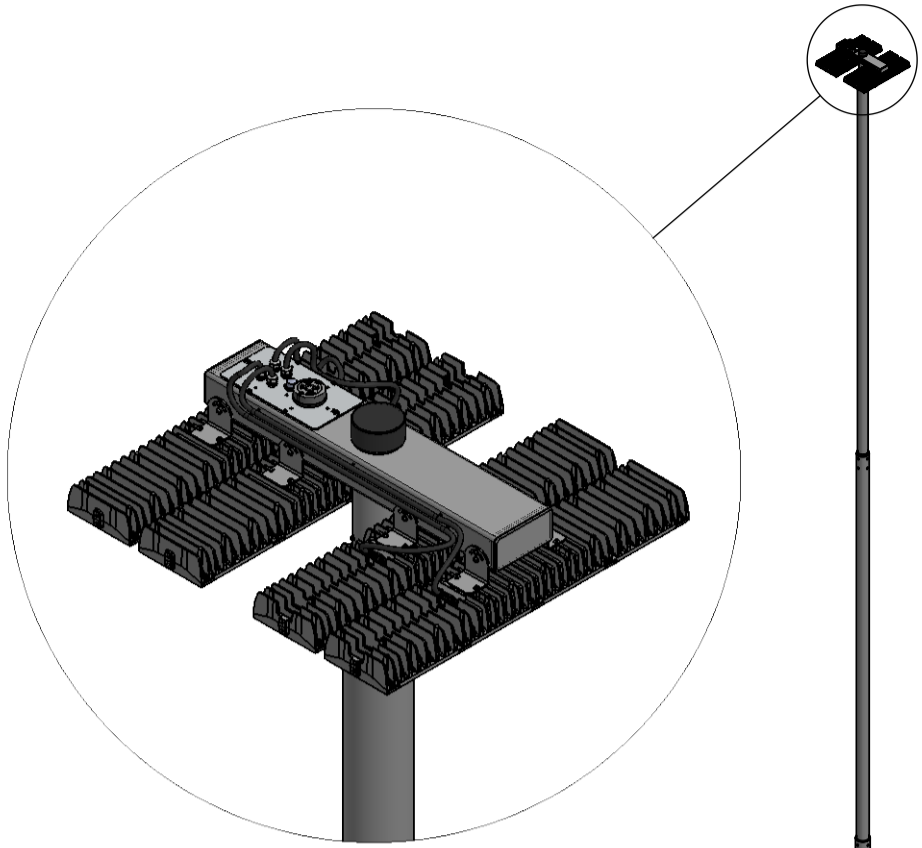
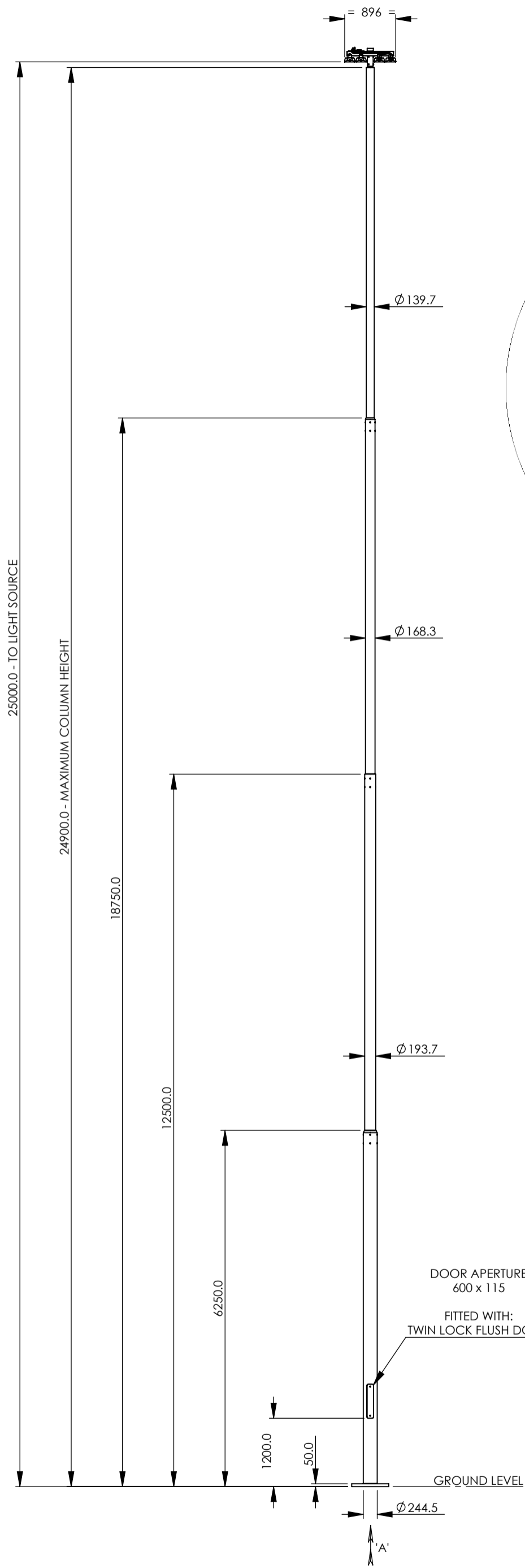
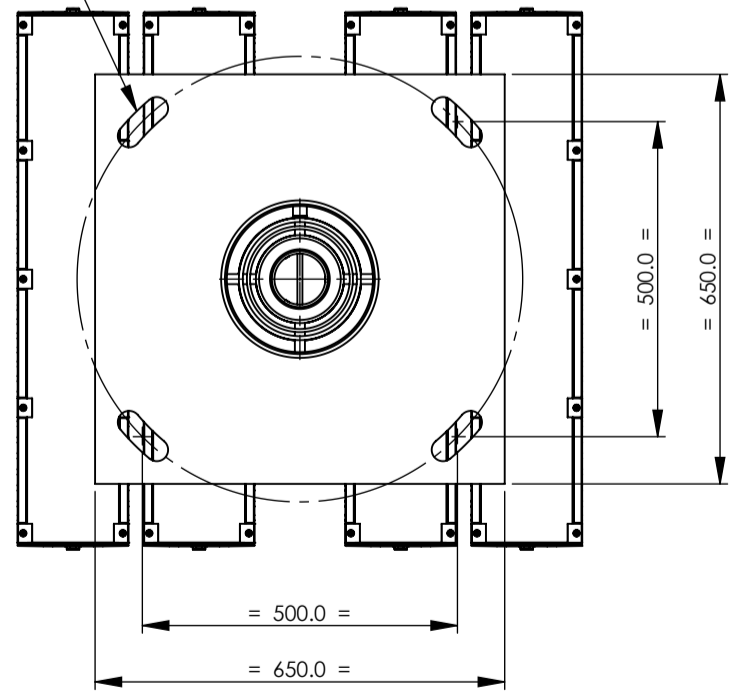


ISSUE	DATE	REVISION	ECN No.
A	18-07-18	DRAWN	-



4 OFF SLOTS - 98 x 36



ENLARGED VIEW IN DIRECTION OF AROW 'A'

WEIGHT (Kg)



DW WINDSOR, PINDAR ROAD, HODDESDON, HERTFORDSHIRE EN11 0DX, UK
TEL. 01992 474600 WWW.DWINDSOR.COM

THIS DRAWING/DOCUMENT IS COPYRIGHT AND THE SOLE PROPERTY OF D.W.WINDSOR LTD. THE CONTENTS HEREIN MAY NOT BE PASSED IN ANY WAY TO A THIRD PARTY, WITHOUT PERMISSION

PROJECT: EAST MIDLANDS GATEWAY		DESCRIPTION: 25M TUBULAR FLANGE PLATE MOUNTED COLUMN WITH KATANA 4 LUMINAIRE		PAGE SIZE: A3
IF IN DOUBT, ASK	UNLESS OTHERWISE SPECIFIED ALL DIMENSIONS ARE IN mm. TOLERANCES:	DRAWN: K.M	DATE: 18/07/2018	SCALE: 1:75
THIRD ANGLE PROJECTION	LINEAR: X ±1.0mm X.X ±0.25mm X.XX ±0.10mm ANGULAR: X.X ±0.5°	FINISH: TO ORDER SPECIFICATION	PART No: SALES DRAWING	REVISION: A
	CASTING THICKNESS ±0.25mm DEBURR AND BREAK SHARP EDGES	MATERIAL: -	DRG No: 3D43157-02	SHEET 1 OF 1